

Patents, Designs, and Trade Marks

SUPPLEMENT

TO THE

NEW ZEALAND GAZETTE

OF
THURSDAY, APRIL 22, 1909.

Published by Authority.

WELLINGTON. THURSDAY, APRIL 22, 1909.

CONTENTS.

	Page
Complete Specifications and Drawings open to Inspection	1135
International and Intercolonial Arrangements for the Mutual Protection of Patents and Trade Marks ..	1136
Patent Publications in New Zealand	1136
Books and Documents open to Inspection at Patent Office, Wellington	1136
Books, Documents, &c., open to Inspection at Local Patent Offices, Auckland, Christchurch, and Dunedin ..	1137
Official Publications	1137
Local Patent Offices	1137
Registrar under "The Copyright Act, 1908," appointed	1137
Notice <i>re</i> Holiday	1137
Applications for Letters Patent filed	1138
Complete Specifications filed after Provisionals	1139
Complete Specifications accepted	1142
Provisional Specifications accepted	1143
Letters Patent sealed	1143
Letters Patent on which Fees have been paid	1143
Subsequent Proprietors of Letters Patent registered ..	1143
Applications for Letters Patent abandoned	1143
Application for Letters Patent void	1143
Applications for Letters Patent lapsed	1143
Letters Patent void	1143
Designs registered	1143
Designs expired	1144
Applications for Trade Marks filed	1144
Applications for Registration of Trade Marks	1144
Application for Trade Mark withdrawn	1148
Trade Marks registered	1148
Subsequent Proprietors of Trade Marks registered	1148
Trade Marks removed from the Register	1148
Amendment of Trade Mark Application	1148

Complete Specifications and Drawings open to Inspection at Auckland, Dunedin, and Christchurch.

COPIES of the complete specifications and drawings advertised in the *Gazette* will be sent for public inspection to the

LOCAL PATENT OFFICES
IN THE
SUPREME COURT BUILDINGS

in the following towns on or about the dates mentioned:—

Auckland.

Gazette No. 34, of the 22nd April. 29th April to 13th May, inclusive.

Dunedin.

Gazette No. 34, of the 22nd April. 19th May to 2nd June, inclusive.

Gazette No. 30, of the 8th April. 7th May to 21st May, inclusive.

Gazette No. 24, of the 25th March. 20th April to 4th May, inclusive.

Christchurch.

Gazette No. 34, of the 22nd April. 7th June to 21st June, inclusive.

Gazette No. 30, of the 8th April. 26th May to 9th June, inclusive.

Gazette No. 24, of the 25th March. 8th May to 22nd May, inclusive.

Gazette No. 21, of the 11th March. 26th April to 10th May, inclusive.

[NOTE.—The office can take no responsibility if from any cause the specifications are not so available.]

International and Intercolonial Arrangements for the Mutual Protection of Patents and Trade Marks.

[INTERNATIONAL CONVENTION.]

THE following countries now belong to the Convention:—

Australia.	Italy.
Belgium.	Japan.
Brazil.	Mexico.
Ceylon.	New Zealand.
Cuba.	Norway.
Denmark and Faroe Islands.	Portugal, with the Azores and Madeira.
Dominican Republic.	Servia.
France, with Algeria and Colonies.	Spain.
Germany.	Sweden.
Great Britain.	Switzerland.
Holland, with East Indian Colonies, Curaçoa, and Surinam.*	Tunis.
	United States of America.

* Trade marks only.

Separate arrangements have been made between Australia and New Zealand.

Particulars of the Convention and of such arrangements may be seen in the following *Gazettes*:—

Notification of adhesion of New Zealand to the Convention, with text thereof (in English), in the *Gazette* of 26th November, 1891; notification of adherence of New Zealand to the Additional Act of the Convention, with text (in English), of such Additional Act, in Patents Supplement to *Gazette* No. 101, of the 16th November, 1905; Order in Council applying section 103 of the Imperial Act to New Zealand, in *Gazette* No. 27, of the 15th May, 1890; Orders in Council containing arrangements between Australia and New Zealand, in Patent Supplements to the *Gazette* Nos. 22 of the 9th March, 1905, and 38 of the 20th April, 1905.

Patent Publications in New Zealand.

THE following publications relating to Patents for inventions, &c., are open to inspection in the Dominion:—

WELLINGTON.—PATENT OFFICE LIBRARY.

United Kingdom.

The full text of the specifications and complete drawings of inventions patented from the year 1617 up to the 21st January, 1909.

Classified illustrated abridgments of inventions from 1855 to 1905 and part of 1906.

Illustrated Official Journal, containing lists of recent applications, abridgments of inventions for which patents have been lately granted, patents void, &c., to March, 1909.

Index of Applicants.

Subject-matter Index.

Commissioner of Patents Journal, &c. (*).

Trade Marks Journal to February, 1909.

Canada.

Patent Office Record (containing illustrated abridgments of inventions, &c.) to October, 1908.

Australia.

The full text of the specifications and complete drawings in respect of applications accepted from the 11th January, 1906, to the 21st July, 1908, inclusive.

The Official Journal of Patents of the Australian Commonwealth (containing lists of applications for letters patent, abridgments of complete specifications accepted, &c.).

The Australian Official Journal of Trade Marks (containing lists of applications for registration of trade marks, &c.).

Specifications, drawings, abridgments, and indexes of Victoria, New South Wales, Queensland, and South Australia (*).

United States.

The full text of the specifications and drawings for the years 1905 and 1906.

The Official Gazette of the United States Patent Office (containing illustrated abridgments of specifications, &c.) to February, 1909.

Mexico.

The Official Gazette of the Patent and Trade Mark Office.

(*) Discontinued.

(b) In arrears. Not now being printed.

General.

La Propriété Industrielle (the official organ of the International Bureau of the Union for the Protection of Industrial Property).

Patent laws of the world.

Patent and Trade Mark Review.

Text-books and handbooks on patents and trade marks.

AUCKLAND.—PUBLIC LIBRARY.

United Kingdom.

Classified abridgments of inventions from 1855 to 1904.
Illustrated Official Journal from 1897 to date.

Canada.

Patent Office Record (containing illustrated abridgments of inventions, &c.) from 1897 to date.

Australia.

The Official Journal of Patents from 1905 to date.

United States.

The Official Gazette of the United States Patent Office (containing illustrated abridgments of specifications, &c.) from 1885 to 1887 and 1890 to 1895.

CHRISTCHURCH.—PUBLIC LIBRARY.

United Kingdom.

Classified abridgments of inventions from 1855 to 1904.
Illustrated Official Journal from October, 1905, to date.

Canada.

Patent Office Record (containing illustrated abridgments of inventions, &c.) from 1897 to date.

Australia.

The Official Journal of Patents from 1905 to date.

DUNEDIN.—TOWN HALL.

United Kingdom.

Classified abridgments of inventions from 1855 to 1904.
Illustrated Official Journal from October, 1905, to date.

Australia.

The Official Journal of Patents from 1905 to date.

Books and Documents open to Inspection at Patent Office, Wellington.

THE following documents and books are open to public inspection at the Patent Office:—

PATENTS.

(Fee for each search or inspection, not exceeding one hour, 1s.)

1. The files relating to all applications for letters patent in respect of which complete specifications have been accepted.
2. Classified copies of specifications and drawings, with index and key (*).
3. Register of Applications for Letters Patent.
4. Register of Patents.
5. Register of Subsequent Proprietors of Letters Patent (*).
6. Index of Patentees (*).
7. Index of Proprietors of Letters Patent granted prior to 1890 (*).
8. Index of Specifications (*).

DESIGNS.

(Search fee, 1s. each quarter of an hour.)

1. Register of Designs, with Index of Names of Proprietors.
2. Classified Representations of Designs in respect of which Copyright has expired.
3. Index of Designs.

(*) Key is in card index.

(b) This Register contains only names of subsequent proprietors of letters patent granted prior to 1st January, 1890; since that date they appear in Register of Patents.

(c) Includes all names of applicants, &c., and consists of four volumes to 4th November, 1906, and card index since that date. A separate card index is kept for current quarter.

(d) The names of proprietors of subsequent letters patent appear in the Index of Patentees.

(e) Contains classified abridgments of specifications from 1861, with extracts from drawings from July, 1904.

APRIL 22.]

TRADE MARKS.

(Search fee, 1s. each quarter of an hour.)

1. The files relating to all applications for registration of trade marks.
2. Register of Applications for Registration of Trade Marks.
3. Register of Trade Marks.
4. Index of Applicants for Registration of Trade Marks^(a).
5. Index of Trade Marks.
6. Classified Representations of Trade Marks, with indexes.

MISCELLANEOUS.

Register of Patent Agents.

FORMS AND PUBLICATIONS.

The following forms, &c., may be had on application at the Patent Office, Wellington, or at any of the local Patent Offices named below:—

- Application for letters patent.
- Provisional specification.
- Complete specification and copy thereof.
- Application for registration of design.
- Application for registration of trade mark.
- Applications for extension of time.
- Requests by subsequent proprietor to enter name on Register of Patents and Trade Marks.
- Printed sheets of information as to fees and procedure to obtain letters patent and to register a trade mark^(b).
- Pamphlet containing Act and Regulations (price 1s.).

^(a) Names of applicants for registration and proprietors of trade marks are indexed at the beginning of the Registers up to 31st December, 1889; in separate volume up to 5th September, 1904; and since the latter date in card index.

^(b) May also be obtained at any local Patent Office or money-order office.

Books, Documents, &c., open to inspection at Local Patent Offices, Auckland, Christchurch, and Dunedin.

BOOKS, documents, &c., open to inspection, and forms, &c., procurable, at the local Patent Offices at Auckland, Christchurch, and Dunedin.

BOOKS, ETC., OPEN TO INSPECTION.

Complete specifications and drawings of inventions. (Note.—One set of the specifications and drawings is sent, on acceptance, to Auckland, Christchurch, and Dunedin in succession, remaining fourteen days at each place, as advertised in the *Gazette*. Search fee, 1s. per hour.)

Classified abridgments of inventions from 1st January to end of 1908. (Search fee, 1s.)

Weekly lists of applications for patents up to and including those filed on Friday may be seen on the following Monday. (Search fee, 1s.)

Name Index—Patents, 1861-1889. (Search fee, 1s.)

Annual Reports, containing alphabetical lists of applicants and subject-matter indexes since 1890.

Patents Supplement to the *New Zealand Gazette*.

Patents, Designs, and Trade Marks Act and Rules.

Acts and Rules of other countries.

Australian Official Journal of Patents.

FORMS, ETC., OBTAINABLE.

The following forms, &c., may be obtained on application:—

- Applications for letters patent.
- Provisional specification.
- Complete specification, and copy thereof.
- Application for registration of design.
- Application for registration of trade mark.
- Applications for extension of time.
- Requests by subsequent proprietor to enter name on Register of Patents and Trade Marks.
- Printed sheets of information as to fees and procedure to obtain letters patent and to register designs and trade marks.
- Act and Regulations. (Price, 1s. 6d.)

NOTE.—The classified abridgments of the specifications and drawings of the United Kingdom may be seen in the Public Library of each of the above three principal towns. Other publications will be placed on file as soon as they are available.

Official Publications.

THE following publications may be obtained from the Government Printer, Wellington:—

Printed specifications to the end of the year 1879. (Some of these are now out of print.)

Annual lists of letters patent and letters of registration applied for, and particulars of applications lapsed, and patents lapsed, from 1880 to 1893 inclusive. (The lists for the last four of these years are contained in the *Annual Reports of the Registrar*.)

Annual reports of the Registrar, containing alphabetical indexes of applicants for letters patent and of subject-matter of inventions patented from 1894 to 1907 inclusive.

The Patents Supplement to *Gazette* (containing notifications, applications for letters patent, abridged descriptions, and drawings of inventions, &c.), published fortnightly.

Name Index of Patents, &c., 1861-1890. (Price, 1s.)

Local Patent Offices.

LOCAL Patent Offices for the reception of applications; supply of forms, &c., have been established at the following places:—

- Auckland—Supreme Court. (E. W. Cave, agent.)
- Waikare—Courthouse. (W. J. Reeve, agent.)
- Thames—Courthouse. (J. Jordan, agent.)
- Waihi—Courthouse. (J. McIndoe, agent.)
- Hamilton—Courthouse. (H. J. Dixon, agent.)
- Gisborne—Courthouse. (G. J. A. Johnstone, agent.)
- New Plymouth—Courthouse. (J. Terry, agent.)
- Napier—Courthouse. (A. Trimble, agent.)
- Wanganui—Courthouse. (C. A. Barton, agent.)
- Taihape—Courthouse. (W. Baker, agent.)
- Palmerston North—Courthouse. (C. J. Hewlett, agent.)
- Masterton—Courthouse. (M. Foley, agent.)
- Nelson—Courthouse. (E. C. Kelling, agent.)
- Blenheim—Courthouse. (F. W. Hart, agent.)
- Westport—Courthouse. (O. B. Bowling, agent.)
- Greymouth—Courthouse. (B. Harper, agent.)
- Hokitika—Courthouse. (J. N. Nalder, agent.)
- Christchurch—Supreme Court. (W. W. Samson, agent.)
- Ashburton—Courthouse. (J. Fitzgerald, agent.)
- Timaru—Courthouse. (T. W. Tayler, agent.)
- Oamaru—Courthouse. (A. A. Mair, agent.)
- Dunedin—Supreme Court. (T. E. Roberts, agent.)
- Clyde—Courthouse. (F. T. D. Jeffery, agent.)
- Gore—Courthouse. (G. H. Lang, agent.)
- Queenstown—Courthouse. (A. J. Thompson, agent.)
- Invercargill—Courthouse. (J. R. Colyer, agent.)

Registrar under "The Copyright Act, 1908," appointed.

Office of the Minister of Internal Affairs,
Wellington, 10th April, 1909.

HIS Excellency the Governor has been pleased to appoint

JAMES CLARK LEWIS, Esq.,
to be Registrar of Copyright under "The Copyright Act, 1908," vice C. T. Benzoni, Esq.

D. BUDDO,
Minister of Internal Affairs.

Holiday.

Office of the Minister of Internal Affairs,
Wellington, 31st March, 1909.

THE Government offices throughout the Dominion will be closed on Friday, the 23rd April, 1909, being St. George's Day.

D. BUDDO,
Minister of Internal Affairs.

Applications for Letters Patent filed.

LIST of applications for Letters Patent filed. (Where a complete specification accompanies an application an asterisk is affixed; in all other cases a provisional specification has been lodged. In all cases where the applicant is not the inventor the name of the latter appears in the title. † denotes an application under the International and Intercolonial Arrangements.)

- No. 25723.—23rd March.—A. J. Day, Christchurch, N.Z.
Cinder-sifter.*
- No. 25724.—23rd March.—F. J. Halford and J. E. Mortimer, Christchurch, N.Z.
Weatherboard.
- No. 25725.—22nd March.—T. Wallace, Christchurch, N.Z.
Drying bricks.*
- No. 25726.—22nd March.—P. R. Williamson, Christchurch, N.Z.
Lathe tool.
- No. 25727.—16th November, 1908.—W. S. Simpson and H. Oviatt, London, Eng.
Production of iron from ore.* †
- No. 25728.—16th November, 1908.—W. S. Simpson and H. Oviatt, London, Eng.
Production of steel from ore.* †
- No. 25729.—24th March.—T. Gare, New Brighton, Eng.
Sheet-indiarubber manufacture.*
- No. 25730.—24th March.—F. T. Wyatt, Wellington, N.Z.
Pneumatic-tire protector.
- No. 25731.—24th March.—M. Donaghy and Sons, Proprietary, Limited, Geelong, Vic.
Removing inequalities from binder-twine.*
(W. Jose.)
- No. 25732.—24th March.—J. E. and E. Gee, London, Eng.
Floor-washer.*
- No. 25733.—23rd March.—Brett Printing and Publishing Company, Limited, Auckland, N.Z.
Numbering-mechanism for printing-machine.* (J. de B. Galloway and E. Schreier.)
- No. 25734.—23rd March.—D. Brigham, Auckland, N.Z.
Horse-collar.
- No. 25735.—23rd March.—H. F. Blowes, Timaru, N.Z.
Machine-chock.
- No. 25736.—24th March.—A. M. Martin, Christchurch, N.Z.
Spouting-bracket.
- No. 25737.—25th March.—W. Jenkins, Millerton, N.Z., and G. Jones, Birchfield, N.Z.
Gold-saving shaking-table.
- No. 25738.—25th March.—J. J. Packer, Palmerston North, N.Z.
Milking-machine.
- No. 25739.—26th March.—F. Ottaway, Puka, N.Z.
Life-saving boat.
- No. 25740.—22nd March.—A. F. Matthews and F. Hall, Gisborne, N.Z.
Closet-pan tray.
- No. 25741.—24th March.—W. Bennet, Mornington, N.Z.
Blouse-adjuster and skirt-holder.*
- No. 25742.—24th March.—T. J. Orr, Dunedin, N.Z.
Issuing trade coupons.
- No. 25743.—24th March.—T. W. Simpson, Castleford, Eng.
Bottle-making machine.*
- No. 25744.—24th March.—W. J. Jenkin, Christchurch, N.Z.
Attaching bolts and hinges to posts.* (G. D. and A. P. F. Watson.)
- (NOTE.—The above numbers were inadvertently omitted from the Gazette of the 8th April.)
- No. 25785.—6th April.—C. Ryan, Sydney, N.S.W.
Shirt-collar.*
- No. 25786.—6th April.—M. Henderson, Onehunga, N.Z.
Life-saving boat.
- No. 25787.—6th April.—R. Blakoe, Glasgow, Scot.
Developing and strengthening the muscles.*
- No. 25788.—6th April.—British Westinghouse Electric and Manufacturing Company, Limited, Westminster, Eng.
Electric braking.* (P. S. Turner.)
- No. 25789.—6th April.—G. H. Buckeridge, Christchurch, N.Z.
Pillow cover, slip, or shield.
- No. 25790.—6th April.—E. F. Jones, Wellington, N.Z.
Safety guard for trolley-wheels of overhead electrical tramways.
- No. 25791.—6th April.—T. W. Edlin, Christchurch, N.Z.
Bicycle-brake.
- No. 25792.—3rd April.—J. B. Sauve and F. Bernardi, Mokolunne Hill, U.S.A.
Electrical fuse-spitter.*
- No. 25793.—7th April.—K. Kozegi, Baja, Hungary, and E. Szaschenyi, Vaiszka, Hungary.
Cultivating-machine.*
- No. 25794.—7th April.—E. R. Royston, Oxtou, Eng.*
Pneumatic device for stamping-machinery.
- No. 25795.—7th April.—F. A. Burdett-Stuart, Chertsey, N.Z.
Drawing-board and protractor.*
- No. 25796.—7th April.—W. Clark, Juneo, N.S.W.
Exchangers in tablet systems of railway-traffic control.*
- No. 25797.—7th April.—J. O'Sullivan, Wellington, N.Z.
Military accoutrements.
- No. 25798.—7th April.—T. L. Green, Indianapolis, U.S.A.
Biscuit-cutting machine.*
- No. 25799.—7th April.—T. L. Green, Indianapolis, U.S.A.
Sheeter or bar machine.*
- No. 25800.—7th April.—T. L. Green, Indianapolis, U.S.A.
Wire-out soft-cake machine.*
- No. 25801.—7th April.—H. L. Gray, San Francisco, U.S.A.
Mailing-tube.*
- No. 25802.—7th April.—G. H. Pedlar, Oshawa, Canada.
Interlocking metallic shingles.*
- No. 25803.—7th April.—G. W. Midson, Nundah, Queensland.
Bottle.*
- No. 25804.—7th April.—A. L. E. Crombie, Cobar, N.S.W.
Mechanical music-teacher.*
- No. 25805.—8th April.—A. D. Stubbs and J. Robertson, Hastings, N.Z.
Making pip holes in cans.
- No. 25806.—8th April.—T. O. Bennett, Marrickville, N.S.W.
Machine sheep-shears.
- No. 25807.—8th April.—M. W. Christensen, Cardiff, N.Z.; J. W. H. Fredric, Stratford, N.Z.; and J. W. McMillan, Stratford, N.Z.
Raising water.*
- No. 25808.—8th April.—H. Forrest, Forrester, N.S.W., and W. L. Davis, Sydney, N.S.W.
Non-refillable bottle.*
- No. 25809.—8th April.—H. Fisher, Island Bay, N.Z.
Device for ventilating.
- No. 25810.—8th April.—W. Morris and W. P. Hambleton, Greymouth, N.Z.
Steam-boiler.
- No. 25811.—8th April.—G. Loames, Wellington, N.Z.
Small-arms-ammunition carrier.
- No. 25812.—8th April.—J. Muir, Tamuka, N.Z.
Earthenware-pipe socket.
- No. 25813.—8th April.—A. Tyree, Christchurch, N.Z.
A heel-stiffener for goloshes.*
- No. 25814.—8th April.—D. L. Hollis, U.A. Forgie, F. Goscomb, J. S. Jaffray, and G. G. Tawse, Wellington, N.Z.
Motor-tire cover.
- No. 25815.—13th April.—S. J. Lawrence and T. Daniel, Sydney, N.S.W.
Discovering punctures in tires.
- No. 25816.—13th April.—B. F. H. Dawson, Sydney, N.S.W.
Generation of acetylene gas.*
- No. 25817.—13th April.—E. Nesbitt, Swan Hill, Vic.
Slip-bodice and dress-preserver.
- No. 25818.—6th April.—C. Suttie, Waharoa, N.Z., and M. H. Wynyard, Auckland, N.Z.
Flag-dressing machine.
- No. 25819.—7th April.—R. A. French, Dunedin, N.Z.
Lowering life-boats.
- No. 25820.—7th April.—R. Lochhead, Mornington, N.Z.
Carriage-hoods.*
- No. 25821.—6th April.—A. E. Lindau, St. Louis, U.S.A.
Bars for reinforcing concrete.*
- No. 25822.—8th April.—W. P. S. MacGregor, Wendonside, N.Z.
Beels for wire-tighteners.*
- No. 25823.—8th April.—J. C. McGeorge, Dunedin, N.Z.
Tail chute for gold-dredge.*
- No. 25824.—13th April.—H. A. Westmoreland, London, Eng.
Dropper and standard.*
- No. 25825.—13th April.—J. W. Restler, London, Eng.
Cover for service cocks.*
- No. 25826.—13th April.—The Powers Railway Safety Appliance Company, New York, U.S.A.
Air-brake for railway-train.* (E. B. Powers.)
- No. 25827.—29th April, 1908.—S. Sutton, Bendigo, Vic.
Percussive rock-drill machine.* †
- No. 25828.—14th April.—J. R. Davies, Wellington, N.Z.
Gas-manufacture.
- No. 25829.—14th April.—W. A. Hargreaves, Woodville, S. Aus.
Production of iron or steel.*
- No. 25830.—14th April.—H. Pape, Namburg, Ger.
Preparation of zinc-oxide for reduction.*

- No. 15831.—14th April.—Alcock and Company Proprietary, Limited, Melbourne, Vic.
Electric process for drying timber. (A. U. Alcock.)
- No. 25832.—14th April.—H. W. Roy and A. Weber, Wellington, N.Z.
Locking electric lamps within their holders.*
- No. 25833.—14th April.—H. W. Roy and A. Weber, Wellington, N.Z.
Locking electric lamps within their holders.*
- No. 25834.—14th April.—A. A. W. Cameron, Christchurch, N.Z.
Cover for milk-cans.
- No. 25835.—15th April.—A. Beveridge, Christchurch, N.Z.
Furnace-door.
- No. 25836.—15th April.—W. J. Ward, Waitapu, N.Z.
Liniment for rheumatism.*
- No. 25837.—15th April.—P. Bitossi, Wellington, N.Z.
Blotting-pad composition.
- No. 25838.—14th April.—A. Williams, Auckland, N.Z.
Diary, time-table, &c.
- No. 25839.—16th April.—S. S. Osborn, Germiston, Transvaal.
Tube-mill lining.
- No. 25840.—14th April.—L. G. Grace and T. H. Gillman, Hawera, N.Z.
Hydraulic air-exhauster or vacuum pump.*

Complete Specifications filed after Provisionals.

LIST of complete specifications filed after provisional specifications, from the 6th to the 19th April, 1909, inclusive:—

- No. 24467.—A. Smith and A. L. Smith, fire-alarm.
No. 24622.—A. H. Poole, hair-pad.
No. 24625.—W. H. Riddell, school-desk.
No. 24642.—A. G. Tomkies, metal-shearing tool.
No. 24666.—E. L. Burton, document-file, &c.
No. 24676.—E. Moss, fire-alarm.
No. 24686.—J. G. Hudson and J. W. Mardon, railway-signal apparatus.
No. 24720.—J. Pedersen, churn and butter-worker.
No. 24753.—N. C. Christie and W. Henderson, air-brake apparatus.
No. 25215.—W. H. Trengrove, internal-combustion engine.
No. 25619.—A. Edmond, cleaning-instrument.

Notice of Acceptance of Complete Specifications.

Patent Office,
Wellington, 21st April, 1909.

COMPLETE specifications relating to the undermentioned applications for Letters Patent have been accepted, and are open to public inspection at this office. Any person may, at any time within two months from the date of this *Gazette*, give me notice in writing of opposition to the grant of any such patent. Such notice must set forth the particular grounds of objection, and be in duplicate. A fee of 10s. is payable thereon.

No. 23890.—4th January, 1908.—HARRY MACINTOSH, Civil Engineer, and GEORGE HENRY BAYLIS, Contractor, both of Wellington, New Zealand. Improvements in ornamental fans and other articles made from paper and like substances, and adapted for advertising and other purposes.*

Claims.—(1.) The combination of a folded piece of cardboard or like material, adapted for advertising, programmes, &c., with a fan of paper or like material, ornamental or otherwise, substantially as described. (2.) The combination and arrangements of parts comprising the ornamental fan and programme, substantially as described.

(Specification, 3s.; drawing, 2s.)

No. 24454.—26th May, 1908.—HENRY ISMAY MORALEE Ross, of 91A Princes Street, Dunedin, New Zealand, Ventilating Engineer. Improvements in a system of double-current ventilation.*

Claims.—(1.) In a double-current system of ventilation including one or more apartments, the combination of a plurality of deflecting-planes for inducing a current of foul air, an annular chamber having valved openings for admitting fresh air and directing the same to said apartments, and

means in the roof for short-circuiting said currents of air, all substantially as shown on the drawings and as described and as explained. (2.) In a double-current system of ventilation including one or more apartments, the combination of a plurality of fresh-air inlets adapted to automatically open to admit air, a plurality of fresh-air inlets adapted to automatically close to oppose the exit of said air, a foul-air cowl and pipe in communication with said inlets, and means for short-circuiting said currents of air, all as set forth. (3.) In a double-current system of ventilation including one or more apartments, the combination of a revolving cowl for automatically exhausting the foul air, a fresh-air inlet carried by said cowl, and deflecting-means for the said fresh air, substantially as set forth. (4.) In a double-current system of ventilation including one or more apartments, the combination of a plurality of gratings, and distributing air boxes arranged to equalise the flow of air through said gratings, all substantially as shown on the drawings and set forth. (5.) In a double-current system of ventilation including one or more apartments, the combination of a revolving cowl, a fixed cowl having automatic valves, an exhaust-cowl and extended inlets, distributing-boxes for said inlets, a flushing-cistern and means for arresting dust by water-trays connected with said cistern, and means for short-circuiting the air-currents, all substantially as set forth.

(Specification, 6s. 6d.; drawing, 1s.)

No. 24479.—4th June, 1908.—ERNEST EDGAR KING, of Whitby Street, West Brunswick, near Melbourne, Victoria, Australia, Boot-manufacturer. Improvements in boot and shoe uppers.*

Extract from Specification.—The salient feature of my invention consists in giving the material to form the boot or shoe upper a particular formation, which will enable it to be folded and closed by a single seam to form an upper of the kind required. The location of this said seam is preferably on the inner side of the upper, and it runs approximately from the centre of the instep to the centre of the waist, in which position it is subjected to a minimum amount of wear and strain when in use.

[NOTE.—The above extract from the specification is inserted in place of the claims.]

(Specification, 5s. 6d.; drawing, 1s.)

No. 24488.—4th June, 1908.—JOHN BLAKE, of Otakeho, New Zealand, Farmer. An improved pulsator for milking-machines.*

Extract from Specification.—According hereto the main vacuum-pipe is connected by a socket to the pulsator, which comprises a union made preferably of cast brass, a cock being provided for cutting off the connection. Nipples provided upon the union are adapted to receive rubber tubes for connecting the union to the usual milk-bucket forming part of milking-machinery. The socket connects directly with one of the nipples by means of a main port through the union. A branch port from this main port opens into a valve-race fitted with a slide valve having a port in its face. I prefer to make the valve and its race semicircular, as this construction is easily manufactured and the valve wears truly and keeps airtight as it wears. A second branch port opening into the face of the valve-race communicates with the second nipple by means of a lateral and internal port, and a third branch port opening in the face of the valve-race communicates with the second nipple.

[NOTE.—The above extract from the specification is inserted in place of the claims.]

(Specification, 3s. 9d.; drawing, 1s.)

No. 24575.—29th June, 1908.—VICTOR GRAHAM OLDMAN, of Christchurch, New Zealand, Inventor. Improvements in or relating to bee-hives.*

Claims.—(1.) In bee-hives, a porch attachment adapted to fit over the hive-entrance and having an opening in the front thereof, and a slide mounted on guides adapted to completely or partially cover such opening, substantially as and for the purposes specified. (2.) The improvements in or relating to bee-hives, substantially as described and explained, as illustrated in the drawings, and for the several purposes set forth.

(Specification, 2s.; drawing, 1s.)

No. 24902.—9th September, 1908.—EDWARD HENRY TROT-
MAN, of Mylor, South Australia, Bootmaker. An improved
method of manufacturing fertiliser from waste products, such
as scrap leather, hair, and hide.*

Claims.—(1.) The production of fertiliser from scrap
leather, hair, and hide by the specified method of manufacture,
consisting in boiling the material in aqueous solution of soda-
ash, preferably in a suitable digester (with or without the
addition of lime), until reduced approximately to the density
of treacle, then exposing the product to the atmosphere
until solidified, and subsequently breaking or grinding the
same for use as a dry fertiliser, as a new article of manufacture.
(2.) The production of fertiliser from scrap leather, hair, and
hide by the specified method of manufacture, consisting in
boiling the material in aqueous solution of soda-ash, preferably
in a suitable digester (with or without the addition of lime),
until reduced approximately to the density of treacle, then
exposing the product to the atmosphere until solidified, and
subsequently dissolving the same in water, with or without
added matter, for use as a wet fertiliser, as a new article of
manufacture.

(Specification, 3s. ; drawing, 1s.)

No. 25202.—11th November, 1908.—UNITED SHOE MA-
CHINERY COMPANY, of Paterson, in the State of New Jersey,
United States of America, a corporation duly organized under
the laws of said State of New Jersey, carrying on business
as Shoe-machinery Manufacturers, and having a place of
business at 205 Lincoln Street, Boston, Massachusetts, United
States of America (the assignees of Erastus Edwin Winkley,
of Lynn, Essex, Massachusetts aforesaid, Mechanical En-
gineer). Improvements in or relating to sole-levelling ma-
chines.

Claims.—(1.) In a sole-levelling or like machine having
a shoe-supporting jack, means for applying pressure pro-
gressively to the sole of a shoe, supported upon the jack, to
smooth out the sole, and for simultaneously delivering a
series of blows upon the sole in a direction substantially
perpendicular to the surface of the sole. (2.) In a sole-
levelling or like machine having a shoe-supporting jack, a
sole-levelling device, such as a rubstick, and means to actuate
it to rub and hammer the sole of a shoe supported upon the
jack. (3.) In a sole-levelling or like machine having a shoe-
supporting jack, a rubstick relatively movable to transfer
the point of operation of the rubstick over the sole of a shoe
supported upon the jack, a hammer and means for actuating
the hammer to deliver a series of blows upon the rubstick
while in contact with the sole, with or without provision
for vibrating rubstick and hammer longitudinally of the sole.
(4.) In a machine such as is described in claiming-clause
No. 3, the arrangement that the rubstick is pivotally mounted
to allow its working-face to conform to the longitudinal
curvature of the sole, and is provided with a surface curved
about the pivotal axis of the rubstick as a centre, and that
the hammer delivers its blows upon the curved surface of
the rubstick. (5.) In a machine such as is described in claim-
ing-clause No. 3, the arrangement that the rubstick and ham-
mer are mounted on a bed mounted to swing towards and
from the jack and to rock laterally, and that mechanism
mounted on the bed actuates the hammer. (6.) A sole-
levelling machine with rubstick and hammer constructed
and arranged substantially as described or illustrated in the
drawings.

(Specification, 12s. 6d. ; drawing, 3s.)

No. 25257.—19th November, 1908.—JOHN JOSEPH DAILY,
of 8 Armagh Street, Christchurch, New Zealand, Chemist.
An improved hygienic pneumatic saddle-cover for cycles,
motor-cycles, and riding-saddles of all kinds.*

Claims.—(1.) A cycle-saddle cover having a casing and an
inflated tube within the casing, means for readily inserting,
removing, and inflating the tube, and means for affixing the
cover to the saddle, substantially as described. (2.) A cycle-
saddle cover as covered by claim 1, having a tube casing
with its inner edges laced and its outer edges sewn together,
substantially as described. (3.) A cycle-saddle cover as
covered by claim 2, having a valve passing from the tube
through a hole in the casing, and laces such as *e*, *f*, and *g* for
securing the saddle-cover to the saddle.

(Specification, 2s. ; drawing, 1s.)

No. 25296.—3rd December, 1907.—THE METALS EXTRACTION
CORPORATION, LIMITED, of Finsbury House, Blomfield
Street, London, E.C., England (assignees of Woldemar Hom-
mel, Ph.D., of 17 Micheldever Road, Lee, London, S.E.,
England, Metallurgist, and Henry Livingstone Sulman, of
44 London Wall, London, E.C., England, Metallurgist). Im-
provements in the separation of zinc from its ores or com-
pounds.

[NOTE.—This is an application under the International and Intercolonial
Arrangements, the date given being the official date of the application in
the Commonwealth of Australia.]

Extract from Specification.—According to this invention, a
process of separating zinc from its ores or compounds consists
in roasting the ore if necessary, volatilising from the roasted
or unroasted ore the zinc contents in the form of oxide, to-
gether with other metallic matters, collecting the product
thus blown off, treating it with a solution of sulphurous acid
so as to obtain a solution of bisulphite of zinc, and precipitating
the zinc as insoluble monosulphite, which is then calcined
to produce zinc-oxide.

[NOTE.—The above extract from the specification is inserted in place
of the claims.]

(Specification, 10s.)

No. 25435.—12th January, 1909.—JACOB HENRICHSEN, of
21 Loengangsstraede, Copenhagen, Denmark, Merchant, and
CARL JOHANNES HEMMINGSEN, of 10 Enghavevej, Copen-
hagen aforesaid, Machine-manufacturer. Improvements in
milking-appliances.

Extract from Specification.—The main novelty in a milking-
appliance constructed according to this invention consists
in the connection between the suction-pipe and the sucking-
cup being effected through a fine aperture or conduit arranged
in or alongside a diaphragm, piston, or other member which
separates the suction-pipe from the sucking-cup.

[NOTE.—The above extract from the specification is inserted in place
of the claims.]

(Specification, 7s. ; drawing, 2s.)

No. 25610.—25th February, 1909.—EGBERT EDWARD
KENNEDY, of 437 Collins Street, Melbourne, Australia, Com-
pany-manager. An improved means for displaying adver-
tising matter.

Claims.—(1.) The combination with a framework having
means for displaying advertising matter, of an aermotor that
directly revolves the framework, as described. (2.) The com-
bination with the subject-matter of claim 1, of a flap or leaf
hinged on the framework and kept close thereagainst by the
action of a spring, and a weight upon the leaf to cause the leaf
to open by centrifugal force as the framework rotates, as and
for the purposes specified. (3.) The general arrangement,
construction, and combination of parts constituting the im-
proved means for displaying advertising matter, substantially
as described, and operating in the manner set forth.

(Specification, 3s. 6d. ; drawing, 1s.)

No. 25659.—4th March, 1909.—MARGARET ANN SINCLAIR,
of Auckland, New Zealand, Stationer. An improved book
over-cover.

Claims.—(1.) In the improved book over-cover specified,
the cutting-out the same in one piece of material in the shape
shown to form the envelope ends illustrated, in the manner
and for the purpose set forth, as described. (2.) In the im-
proved book over-cover specified, the producing the edges of
the ends and turning over and securing them to the back
of the over-cover in the manner and for the purposes set
forth, as described and illustrated. (3.) The cutting-out
and shaping and arranging the improved book over-cover
specified, in the manner and for the purpose set forth, as
described and illustrated.

(Specification, 3s. ; drawing, 1s.)

No. 25677.—12th March, 1909.—CHARLES EDWARD MARTIN, of Durban, Natal, South Africa, Engineer. Improvements in or relating to rotary pumps or the like.

Claims.—(1.) In a rotary pump or the like, the combination with a sliding blade carried by a rotatable member (for example, A²) of a chamber having concentric portions D, D¹, and D², D³, over which the blade travels during the propelling movement, and eccentric portions that are traversed only when the blade is relieved from propelling-pressure. (2.) In a rotary pump or the like having a sliding blade and wherein the pressure is equalised on both sides, the combination with a rotatable member of two or more sliding blades carried thereby, and an enclosing chamber whose walls are concentric with the rotatable member for a distance at least equal to that embraced between the end of one blade and that of the next as measured whilst these traverse such concentric portion, for the purpose described. (3.) In a rotary pump of the type described, the combination of a rotatable member or driver A² that is made in the form of a box and carries the sliding blades C, C¹, a detachable cover A³ for the driver, whereby access may be had to the blades, and a detachable cover B² to the enclosing-chamber B, whereby access may be had to the cover A³. (4.) The rotary pump of like device, substantially as described, and as illustrated in the drawings.

(Specification, 5s. 6d. ; drawing, 2s.)

No. 25692.—13th March, 1909.—JAMES HAMLIN WALKER and PETER WALKER, Sanitary Engineers, and JOHN ARTHUR BROWN, Manager of Foundry, all of Dunedin, New Zealand. Improvements in cocks and taps.

Claims.—(1.) In screw-down cocks and taps, a valve having an enlarged screwed spindle and screw, which, with its gland, is of sufficient size to allow the said valve to be passed to its seat, combined with a renewable seat, under which is a back valve, normally out of use, but which prevents the flow of water or steam when the working-valve is removed, and a loose ring to stop the packing between the said gland and spindle, all substantially as shown on the drawing and as set forth. (2.) In screw-down cocks or taps, in combination, a spindle and gland of sufficient size to allow of the passing of the valve to its seating, with a loose ring for stopping the packing, and a back valve on the other side of the seating kept from being lost by a wire bar, the whole forming a watertight simple tap or cock having but few parts, and one that keeps back the flow when the working-valve is removed, all substantially as set forth. (3.) In screw-down cocks or taps, in combination, a spindle, with its screw, an ordinary working-valve, a renewable seating, faces both sides, a back valve for preventing the flow when the working-valve is removed, a loose ring to stop packing, and a guard for preventing loss of the back valve, all substantially as set forth.

(Specification, 3s. 6d. ; drawing, 1s.)

No. 25697.—9th April, 1908.—FRANK ALONZO BEAL, of 77 Washington Street, Haverhill, Massachusetts, United States of America, Manufacturer. Improvements in turned shoes.

[NOTE.—This is an application under the International and Intercolonial Arrangements, the date given being the official date of the application in the United States of America.]

Extract from Specification.—In making my improved shoe I first sew or otherwise secure a welt to the top of the sole, and then I sew the upper, wrong side out, to the top of the welt by means of stitches that interlock with the stitches or fastening-means that secure the welt to the sole. The upper is sewed to the welt in such a way that after the shoe is turned right side out the outer edge of the welt projects beyond the upper in the same manner as that of an ordinary welt shoe does, thus giving to the shoe the appearance of a welt shoe. The interlocking of the stitches that sew the welt to the sole with the stitches that sew the upper to the welt locks both sets of stitches firmly in place, and makes a very strong shoe, in which the stitches are not at all liable to be pulled out, even if they become broken.

[NOTE.—The above extract from the specification is inserted in place of the claims.]

(Specification, 7s. 6d. ; drawing, 1s.)

No. 25721.—20th March, 1909.—EDWIN BURT, of El Oro, Estado Mexico, Mexico. Filters.

Claims.—(1.) A filter comprising a rotatable shell, heads which close the ends thereof, means for rotating said shell, and a filtering medium secured to the inner surface of said shell, said filtering medium comprising plates secured to the inner surface of said shell provided with holes or openings which extend through the same, and with channels on the sides thereof adjacent to said shell which connect said holes or openings. (11.) A filter comprising a rotatable shell provided on its inner surface with a filtering medium, and means for dislodging the filter-cake from said medium. (13.) A filter comprising a rotatable shell, heads which close the ends thereof, means for rotating said shell, a filtering medium secured to the inner surface of said shell and pipe connections to said shell, said connections comprising a pipe adapted for connection with a source of supply of fluid under pressure, whereby a fluid pressure may be introduced into said shell and filtration effected under pressure in order to form a filtrate made up of a plurality of separate layers, each of which will be separately subjected to pressure as it is deposited, whereby a filtrate will be formed sufficiently firm and strong to "stand up" and adhere to the filtering medium unsupported.

[NOTE.—Claims 2 to 10 and claim 12 are omitted.]

(Specification, £1 ; drawing, 3s.)

No. 25725.—22nd March, 1909.—THOMAS WALLACE, of Christchurch, New Zealand, Merchant. Improved manner and means for drying bricks ready for the kiln.

Claims.—(1.) The described manner of drying bricks preparatory to placing them in the kiln, consisting of stacking them on trucks and causing them to pass gradually through a closed building, said building having a pit extending over the whole area below the trucks, a chamber in which slow combustion takes place formed at one end of the pit and occupying the full width of the same, openings formed in said chamber to allow the hot gases to pass into the building and pit and circulate around the bricks, and a chimney formed at the other end of the building through which the hot gases escape into the air, substantially as and for the purpose set forth. (2.) The improved means of drying bricks ready for the kiln, substantially as described, and as illustrated in the sketch.

(Specification, 4s. 6d. ; drawing, 1s.)

No. 25729.—24th March, 1909.—THOMAS GARE, of Bramble Beach, Warren Drive, New Brighton, Chester, England, Engineer. Improvements in and connected with the manufacture of sheet indiarubber and the coating or facing of fabrics and the like with indiarubber.

Extract from Specification.—My improved process of manufacturing sheet indiarubber and of coating or facing fabric or the like with indiarubber consists essentially in feeding the waste or vulcanised rubber in powder form or in a plastic condition upon a travelling endless surface, then subjecting the rubber on the said surface to the pressure of a rotary surface, which presses the rubber to the desired density and at the same time frees it from air; then, whilst still under pressure and protected from air, subjecting the rubber by the said travelling surface to the heat of a rotary surface, which causes it to reform or be vulcanised according to the form in which the rubber is used and degree of heat applied.

[NOTE.—The above extract from the specification is inserted in place of the claims.]

(Specification, 7s. 6d. ; drawings, 1s.)

No. 25732.—24th March, 1909.—JAMES EDWIN GEE, Engineer, and ELIZABETH GEE, wife of the said James Edwin GEE, both of 72 Fleet Street, London, England. Improvements in or relating to apparatus for washing, scrubbing, whitening, or similarly treating floors, door-steps, and the like.

Extract from Specification.—The essential features of our invention consist in providing a scrubbing-brush rigidly fixable in the proper position at the lower end of a handle of suitable length so that an operator can manipulate it without kneeling, in combination with a cloth or swab by which wet, slop, and dirt can be collected and swabbed up, and means for effectually and rapidly drying said cloth or swab. The present improvements also consist in providing means for wringing out the cloth or swab by one movement of the hand

in one direction, the reverse motion causing said cloth or swab to resume its position as a mop without being unwrung, and in novel means for rapidly and securely fixing in position any kind or size of scrubbing-brush, piece of hearthstone, a cloth, swab, or mop, or a squeegee.

[NOTE.—The above extract from the specification is inserted in place of the claims.]

(Specification, 16s. 6d.; drawing, 9s.)

No. 25741.—24th March, 1909.—WILLIAM BENNET, of Mornington, Dunedin, New Zealand, Inventor. Improved blouse-adjuster and skirt-holder.

Claims.—(1.) In blouse and skirt holders and adjusters, the whole consisting of hooks, points, and slot or eye connections for the belt, made in one piece, in combination with the skirt eyes or rings, all substantially as shown on the drawing and as described and as explained. (2.) In combination, a metal band having belt end connecting slots or eyes, points and hooks formed in a piece and attached to same, all substantially as set forth. (3.) In blouse and skirt attachments or adjusters, points, and hooks for rings, all substantially as set forth.

(Specification, 2s.; drawing, 1s.)

No. 25743.—24th March, 1909.—THOMAS WILLIAM SIMPSON, of Whitwood House, Castleford, York, England, Glass-bottle Manufacturer. Improvements in machines for manufacturing glass bottles.

Claim.—(1.) An improved machine for manufacturing glass bottles, comprising a number of similar bottle-forming mechanisms, each complete in itself, and located equidistantly around and carried by a body revoluble about a stationary vertical column, means for rotating the said revoluble body by a number of steps to complete a revolution equal to the number of bottle-forming mechanisms carried thereby, and means for communicating the requisite motions to the various mechanically acting parts of each machine during each revolution of the revoluble body requisite to produce a finished bottle, and for placing each bottle-forming mechanism into position for the next charge, each bottle-forming mechanism being complete in itself as aforesaid.

[NOTE.—Here follow eight other claims.]

(Specification, £1 7s.; drawing, 8s.)

No. 25745.—26th March, 1909.—WILLIAM HENRY DAVID NEWTH, of Christchurch, New Zealand, Chemist. An improved throat-spraying appliance.

Claims.—(1.) The improved throat-spraying appliance comprising the combination with a spraying-tube having a widened mouth or nozzle, and connected with a flexible ball, of a curved plate extension arranged on one side of such mouth, substantially as specified. (2.) The improved throat-spraying appliance, consisting of the parts constructed and arranged substantially as described and explained, and as illustrated in the drawings.

(Specification, 2s.; drawing, 1s.)

No. 25746.—26th March, 1909.—INIA RANGINUI, of Tokaanu, Wellington, New Zealand, Storekeeper. An improved means or method for preventing the spread of fire from one building to an adjacent building.

Extract from Specification.—According to my invention standards constructed of hollow sections telescoping one within the other are provided with suitable means for holding them in a vertical position, and are placed between the burning building and the building or buildings it is desired to protect. A wire rope, rod, or the like extends from the top of each standard and rests in slots or notches provided in the top of said standards, and in the case of a wire rope being used the ends are brought down to the ground and secured thereto by any suitable means. Sheets of asbestos or other fire-resisting material are suspended from the wire rope, rod, or chain by means of blocks adapted to run upon the rope, the sheets being hoisted by means of wire-rope cords passing over the blocks and attached to the said sheets.

[NOTE.—The above extract from the specification is inserted in place of the claims.]

(Specification, 4s. 6d.; drawing, 1s.)

No. 25753.—29th March, 1909.—HARRY WALTER HELLIER JAMES, of 274 Papanui Road, St. Albans, Christchurch, New Zealand, Plumber. An improvement in pumps.

Claims.—(1.) In a pump, the introduction of a short length of piping of large diameter between the supply-pipe and the body of the pump proper, substantially as set forth. (2.) The combination and arrangement of parts comprising the improvements in pumps, substantially as and for the purposes set forth and illustrated in the drawing.

(Specification, 1s. 3d.; drawing, 1s.)

No. 25759.—31st March, 1909.—BENJAMIN HASTINGS, of Barberton, Ohio, United States of America, Mechanical Engineer. Rock-drills.

Claims.—(1.) The combination in a rock-drill of an engine of the piston-hammer type, with a drill-bit whose diameter of cut is wider than the largest outside diameter of the drill-body, said drill-body being adapted for entrance into the hole made by the drill. (2.) The combination with a drill of the piston-hammer type, of a straight hollow handle attached to and permitting a communication with the drill-body, of a drill-bit having a diameter of cut wider than the outside dimensions of said drill body and handle. (3.) The combination with a drill of the piston-hammer type, of a straight hollow handle attached to and permitting a communication with the drill-body, of a drill-bit having a diameter of cut wider than the outside dimensions of said drill body and handle, and handle-bars on said handle longitudinally adjustable thereon.

[NOTE.—Here follow sixteen other claims.]

(Specification, £1 1s.; drawing, 2s.)

An asterisk (*) denotes the complete specification of an invention for which a provisional specification has been already lodged.

NOTE.—The cost of copying the specification and drawing has been inserted after the notice of each application. An order for a copy or copies should be accompanied by a post-office order or postal note for the cost of copying.

The date of acceptance of each application is given after the number.

Extracts from the drawings accompanying the foregoing complete specifications appear at the end of this *Gazette*.

J. C. LEWIS,
Registrar.

Provisional Specifications accepted.

Patent Office,
Wellington, 18th April, 1909.

APPLICATIONS for Letters Patent, with provisional specifications, have been accepted as under:—

- No. 24902.—E. H. Trotman, fertiliser-manufacture.
- No. 25107.—E. W. Hursthouse, lamp-pillar.
- No. 25332.—H. L. Mainland, spring-jaw trap.
- No. 25570.—C. Reed, window sash and frame.
- No. 25613.—A. S. Tange and P. Ellis, game.
- No. 25661.—W. I. Aston, pneumatic horse-collar.
- No. 25678.—E. Hope, collapsible life-buoy.
- No. 25749.—E. Arnold, ventilating system.
- No. 25758.—J. H. Adams, valveless internal-combustion engine.
- No. 25764.—W. Towt, wire-strainer.
- No. 25771.—Q. W. Booth, leather-skiving machine. (L. W. G. Flynt.)
- No. 25772.—United Shoe Machinery Company, boot and shoe. (J. Cavanagh, jun., and P. H. Doherty.)
- No. 25773.—J. R. Howard, motor-vehicle change-speed gear.
- No. 25774.—A. K. W. Rissel, temperature-indicator, &c.
- No. 25776.—C. Suttie and M. H. Wynyard, flax-catcher.
- No. 25778.—W. Hay, flax-dresser.
- No. 25806.—T. O. Bennett, machine sheep-shears.

[NOTE.—Provisional specifications cannot be inspected, or their contents made known by this office in any way, until the complete specifications in connection therewith have been accepted.]

Letters Patent sealed.

LIST of Letters Patent sealed from the 3rd to the 19th April, 1909, inclusive:—

No. 24574.—D. H. Smith, disc plough.

Letters Patent on which Fees have been paid.

[NOTE.—The dates are those of the payments.]

SECOND-TERM FEES.

NO. 19268.—A. T. Bate, liquid-fuel burner. (F. Cotton.) 13th April, 1909.

No. 19317.—C. H. Woodhead, displaying illuminated signs. (C. N. B. Parker—H. W. Chinnery.) 7th April, 1909.

No. 19610.—United Shoe Machinery Company, making and driving staples. (W. H. Borden.) 13th April, 1909.

THIRD-TERM FEES.

No. 14729.—C. A. Keller, electric blast furnace. 14th April, 1909.

No. 14761.—W. H. Gordon, securing hubs to shafts. 15th April, 1909.

No. 14832.—S. Cowper-Coles and Co., Limited, metal, &c., deposition. (S. Cowper-Coles.) 14th April, 1909.

No. 14863.—F. A. Jones, O. Bowman, G. McMullen, and A. Rankin, rail-cleaner. 14th April, 1909.

No. 14882.—United Shoe Machinery Company, lasting-machine. (E. A. Stiggins.) 13th April, 1909.

No. 14883.—F. C. Brown and S. D. McMiken, gold, &c., ore treatment. 15th April, 1909.

Subsequent Proprietors of Letters Patent registered.

[NOTE.—The name of the former proprietor is given in brackets; the date is that of registration.]—

NO. 21876 and 22614.—License to the Alexandra Antimony Company, Limited, a company duly incorporated under "The Companies Act, 1903," in force in the Dominion of New Zealand and carrying on business at Wellington, in the said Dominion, registered as licensees. Ore-treatment. (F. H. Galloway—F. Cotton.) 6th April, 1909.

Applications for Letters Patent abandoned.

LIST of applications, with which provisional specifications only have been filed, abandoned (i.e., complete specifications not lodged) from the 6th to the 19th April, 1909, inclusive:—

No. 24398.—J. H. Jenkins, utilising power from railway-vehicle axles.

No. 24498.—E. Moss, fire-alarm, &c.

No. 24501.—R. Nelson, draught, &c., excluder.

No. 24502.—E. R. Magnus, casting dental inlays, &c.

No. 24504.—F. Blackwell, potato digger.

No. 24505.—G. P. Brown, steering-apparatus.

No. 24507.—C. Nelson and B. Wood, trolley-head.

No. 24509.—A. L. Riddles, furniture-polish.

No. 24510.—E. J. Hardman and C. E. W. Hervey, bucket, &c., handle.

No. 24511.—T. C. Cameron, non-refillable bottle.

No. 24515.—W. J. Bell and P. T. Donnelly, cow-bail.

No. 24516.—E. Hayes, wire-coiler.

No. 24522.—J. Shepherd and A. Cederman, turbine.

No. 24523.—F. H. Trevellian, cash-register.

No. 24525.—G. W. Holland, horse-shoeing appliance.

No. 24530.—B. Locking, poison-gas generator.

No. 24532.—A. E. Taylor, strap or parcel-carrier.

No. 24534.—E. R. Magnus, casting dental inlay.

No. 24537.—J. G. Jones, music-leaf clip.

No. 24538.—A. H. Krause, parcel, &c., carrier.

No. 24543.—E. J. Railton and J. Rennie, wool, &c., scouring machine.

No. 24544.—T. Jackson, scrub-cutter.

Erratum.—No. 24500—W. L. Jolly, pneumatic boot-sole—was inadvertently included in the list of "Applications for Letters Patent abandoned" in the last issue of the *Gazette*.

B

Application for Letters Patent void.

APPPLICATION for Letters Patent, with which complete specifications have been lodged, void owing to non-acceptance of such complete specifications, from the 6th to the 19th April, 1909, inclusive:—

No. 23910.—W. J. Mann, ferro-concrete pile.

Applications for Letters Patent lapsed.

APPPLICATIONS for Letters Patent lapsed, owing to Letters Patent not being sealed, from the 6th to the 19th April, 1909, inclusive:—

No. 23577.—W. Morton, bag-fastener.

No. 23585.—H. A. F. Steffens, seed-sower.

No. 23588.—G. Inglis, pipe-junction.

No. 23595.—G. T. and H. H. Stewart, expanding differential clutch.

No. 23601.—N. L. Nicholson, saw-bench gauge.

Letters Patent void.

LIST of Letters Patent void through non-payment of renewal fees, and through expiry of term of fourteen years, from the 6th to the 19th April, 1909, inclusive:—

THROUGH NON-PAYMENT OF SECOND-TERM FEES.

No. 18918.—J. S. Gunn, rain-water purifier.

No. 18928.—J. J. Healy, cream-cooler.

No. 18929.—W. Dall, bowl-tester.

No. 18931.—H. C. Ciantar and U. Ciantar, gold-extraction.

No. 18934.—J. B. Jackson, road-plough.

No. 18940.—G. Carrington, pea-sheller.

No. 18941.—G. Carrington, gate.

No. 18945.—R. Walker, milk-can.

No. 18946.—J. W. Dickinson, jun., hub.

No. 18948.—British Westinghouse Electric and Manufacturing Company, Limited, shaft-bearings. (J. P. Campbell—W. M. Bradshaw.)

No. 18951.—H. Rands, marbling wood, ironwork, &c.

No. 18957.—Hapgood Plow Company, wheel-swing. (J. S. Tuttle.)

No. 18959.—Champion Seal Company, applying seals to bottles. (E. D. Schmitt.)

No. 18974.—F. J. Farrell, fire-alarm.

No. 18975.—A. J. Wiley and R. Gray, game.

No. 18983.—F. V. Raymond, spreader for dray-chain.

No. 20171.—B. P. Gray, hoof-pad for horse-shoe.

No. 20515.—J. R. Hatmaker, eggs in dry form.

THROUGH NON-PAYMENT OF THIRD-TERM FEES.

No. 14404.—British Westinghouse Electric and Manufacturing Company, Limited, windings for electrical machines. (W. T. L. Travers—B. G. Lamme.)

No. 14411.—G. Sweet, manufacture of hollow-ware.

No. 14430.—British Westinghouse Electric and Manufacturing Company, Limited, electrical distribution. (W. T. L. Travers—J. S. Peck.)

THROUGH EXPIRY OF TERM.

No. 7537.—The British Empire Trading Company, Limited, cigarette-mouthpiece. (The American Tobacco Company of New Zealand, Limited—J. S. Beeman.)

No. 7546.—F. W. S., and G. S. Fowler, press for stamping metal sheets. (T. Thoms.)

Designs registered.

DESIGNS have been registered in the following names on the dates mentioned:—

No. 472.—The Carrara Ceiling Company, Limited, of Wellington South, New Zealand, Manufacturers of "Stuccolin" Work and Importers of Laths and Plaster. Class 3. 5th April, 1909.

Nos. 473, 474, and 475.—Andrew Parkinson, of Ponsonby and Franklin Roads, Auckland, New Zealand, Furniture-manufacturer. Class 3. 13th April, 1909.

Designs expired.

THE copyright in the following designs has expired:—

- No. 204.—J. Hair, of Oamaru, N.Z. (Racing-plate for trotting-horse.)
 No. 206.—E. Broughton, of Auckland, N.Z. (Advertising playing-cards.)
 No. 212.—P. Boll, of Bendigo, Vic. (Electro-magnetic cross.)

Applications for Trade Marks filed.

LIST of applications for registration of Trade Marks filed from the 4th to the 19th April, 1909, inclusive:—

- No. 7933.—6th April.—Vereinigte Köln-Rottweiler Pulverfabriken, Berlin, Germany. Class 20.
 Nos. 7934 and 7935.—6th April.—The Whitecross Company, Limited, Warrington, Eng. Classes 5 and 13.
 Nos. 7936 and 7937.—3rd April.—American Metal-polish Company, Somerville, U.S.A. Class 50.
 No. 7938.—7th April.—T. H. Pearson, Claudelands, N.Z. Class 42.
 Nos. 7939, 7940, and 7941.—7th April.—R. H. Lucas and C. F. Mountain, trading as "Scott Manufacturing Company," Melbourne, Vic. Class 50.
 Nos. 7942 and 7943.—8th April.—E. S. Evelyn and S. Chatterton, Ellerslie, N.Z. Classes 2 and 3.
 No. 7944.—13th April.—C. A. Hamlin, trading as "C. A. Hamlin and Co.," Auckland, N.Z. Class 39.
 No. 7945.—13th April.—Mitteldeutsche Gummiwaaren Fabrik Louis Peter Actien Gesellschaft, Frankfurt, a/M, Ger.; also trading as "The Peter Union Tire Company," London, Eng. Class 40.
 No. 7946.—15th April.—E. A. Dahl, Wellington, N.Z. Class 38.
 No. 7947.—16th April.—T. H. Garland and Son, Auckland, N.Z. Class 50.
 No. 7948.—16th April.—Bryant and May, Limited, London, Eng. Class 47.
 Nos. 7949 and 7950.—16th April.—Martin Hall and Co., Limited, Sheffield, Eng. Classes 12 and 14.
 No. 7951.—16th April.—Wiggins, Teape, and Co., Limited, London, Eng. Class 39.
 No. 7952.—16th April.—British-American Tobacco Company, Limited, London, Eng. Class 45.
 No. 7953.—19th April.—L. Caselberg and Co., Limited, Wellington, N.Z. Class 42.
 No. 7954.—19th April.—J. W. Bates, Hastings, N.Z. Class 3.

Applications for Registration of Trade Marks.

Patent Office,
Wellington, 21st April, 1909.

APPLICATIONS for registration of the following Trade Marks have been received. Notice of opposition to the registration of any of these applications may be lodged at this office within two months of the date of this Gazette. Such notice must be in duplicate, and accompanied by a fee of £1.

No. of application: 7805.
Date: 25th January, 1909.



NAME.

THE GREAT NORTHERN BREWERY, LIMITED, carrying on business in the city of Auckland as Brewers and Bottlers, and having their registered office in Khyber Pass Road, in the Epsom Road District, near the City of Auckland, in the Dominion of New Zealand.

No. of class: 44.

Description of goods: Mineral and aerated waters, natural and artificial, including ginger-beer, ginger-ale, soda-water, lemonade, and all drinks usually termed "soft drinks," being composed chiefly of mineral or aerated waters.

No. of application: 7869.

Date: 8th April, 1909.

TRADE MARK.

AMBEROL

NAME.

NATIONAL PHONOGRAPH COMPANY, of Orange, New Jersey, United States of America, a corporation organized and existing under the laws of the State of New Jersey aforesaid, Manufacturer of Phonographs and Phonograph Records.

No. of class: 8.

Description of goods: Phonograph records.

No. of application: 7901.

Date: 18th March, 1909.

TRADE MARK.



The essential particulars of the trade mark are the following—(1) the combination of devices, (2) the distinctive label, (3) the word "Kops"; and the applicants disclaim any right to the exclusive use of the added matter except in so far as it consists of their trading style.

NAME.

R. WHITE AND SONS, LIMITED, also trading as "Kops Brewery," registered office, Neate Street, Camberwell, London, England, Mineral and Aerated Water Manufacturers, and Brewers of Non-alcoholic Ale and Stout.

No. of class: 44.

Description of goods: Concentrated ginger-beer.

No. of application: 7920.
Date: 29th March, 1909.

TRADE MARK.

The word

“CHAMPION.”

NAME.

HARRY AKHURST, of Riverton, in the Dominion of New Zealand, Draper.

No. of class: 50,
Description of goods: Brushware.

No. of application: 7923.
Date: 31st March, 1909.

TRADE MARK.

The word

“SKOOKUM.”

NAME.

BOWERS RUBBER WORKS, of San Francisco, California, United States of America, Manufacturers.

No. of class: 50 (subclass 9).
Description of goods: Packing for piston-rods and glands and such like parts of machinery and engines.

No. of application: 7924.
Date: 31st March, 1909.

TRADE MARK.

The word

“COLVO.”

NAME.

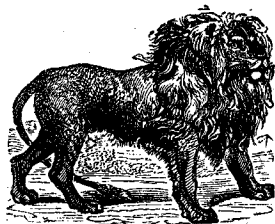
RISICCOL, LIMITED, of 31 and 32 Budge Row, in the City of London, England, Manufacturing Chemists.

No. of class: 3.
Description of goods: Cod-liver oil in the form of powder and biscuits and cakes.

No. of application: 7926.
Date: 1st April, 1909.

TRADE MARK

EUCALYPTINE.



(Trade Mark registered.)

A PURE EUCALYPTI OINTMENT.

The essential particulars of this trade mark are the device and the word “Eucalyptine”; and any right to the exclusive use of the added matter is disclaimed.

NAME.

SARAH JANE STAGPOOLE, of 153 Church Street, Palmerston North, in the Dominion of New Zealand, Married Woman.

No. of class: 3.
Description of goods: Eucalyptine, a pure eucalypti ointment.

No. of application: 7929.
Date: 3rd April, 1909.

TRADE MARK.



The essential particulars of this trade mark are a gander flying over a pond, the word “Gandabak,” and the general device of the design or label; and any right to the exclusive use of the added matter is disclaimed.

NAME.

WALLACE, SCOTT, AND Co., LIMITED, of Glasgow, Scotland.

No. of class: 38.
Description of goods: All articles of clothing under this class.

No. of application: 7930.
Date: 3rd April, 1909.

TRADE MARK.



The essential particulars of this trade mark are the device of a fox's head, a hunting crop, a bugle, the word “Dexter,” and the general design of the label; and any right to the exclusive use of the added matter is disclaimed.

NAME.

WALLACE, SCOTT, AND Co., LIMITED, of Glasgow, Scotland.

No. of class: 38.
Description of goods: All articles of clothing under this class.

No. of application : 7933.

Date : 6th April, 1909.

TRADE MARK.



NAME.

VEREINIGTE KÖLN-ROTTWEILER PULVERFABRIKEN, a company incorporated under the laws of the Empire of Germany, of Dorotheenstrasse 45, Berlin, Germany, Manufacturers.

No. of class : 20.

Description of goods : Gunpowder and sporting-ammunition.

No. of application : 7934.

Date : 6th April, 1909.

TRADE MARK.

The word

“ GAUCHADA. ”

NAME.

THE WHITECROSS COMPANY, LIMITED, of Whitecross Works, Warrington, in the County of Lancaster, England, Manufacturers.

No. of class : 5.

Description of goods : Wire, rod, and like metals included in this class.

No. of application : 7935.

Date : 6th April, 1909.

TRADE MARK

The word

“ GAUCHADA. ”

NAME.

THE WHITECROSS COMPANY, LIMITED, of Whitecross Works, Warrington, in the County of Lancaster, England, Manufacturers.

No. of class : 13.

Description of goods : Barbed wire and other metal fencing included in this class.

No. of application : 7936.

Date : 6th April, 1909.

TRADE MARK.



The essential particular of this trade mark is the combination of devices ; and no claim is made to the exclusive use of the words “ Trade Mark. ”

NAME.

AMERICAN METAL POLISH COMPANY, a corporation organized under the laws of the State of Maine, United States of America, of 89 Winslow Avenue, in the City of Somerville, County of Middlesex, State of Massachusetts, United States of America.

No. of class : 50.

Description of goods : Metal polishes.

No. of application : 7937.

Date : 6th April, 1909.

TRADE MARK.



The essential particular of this trade mark is the word “ Putz ” ; and any right to the exclusive use of the word “ Cream ” is disclaimed.

NAME.

AMERICAN METAL POLISH COMPANY, a corporation organized under the laws of the State of Maine, United States of America, of 89 Winslow Avenue, in the City of Somerville, County of Middlesex, State of Massachusetts, United States of America.

No. of class : 50.

Description of goods : Metal polishes.

No. of application : 7938.

Date : 7th April, 1909.

TRADE MARK.



THE HONEY FROM THIS APIARY WAS AWARDED FIRST PRIZE AT THE WAIKATO HORTICULTURAL SHOW, 1888.

The essential particular of this trade mark is the distinctive label.

NAME.

THOMAS H. PEARSON, of Claudelands, Auckland, in the Dominion of New Zealand, Apiarist.

No. of class : 42.

Description of goods : Honey.

No. of application : 7942.

Date : 8th April, 1909.

TRADE MARK.



The essential particular of this trade mark is the device showing horse, cow, calf, sheep, and fowls wanting Micure ; and any right to the exclusive use of the added matter is disclaimed.

NAME.

EDWARD SHEE EVELYN and SIDNEY CHATTERTON, both of Ellerslie, near the City of Auckland, in the Provincial District of Auckland and Dominion of New Zealand, Manufacturers.

No. of class : 2.

Description of goods : Horse, cattle, and sheep medicine, deodorisers, and vermin-destroyers.

No. of application : 7943.

Date : 8th April, 1909.

TRADE MARK.

The words

"MICURE COOLEEL."

NAME.

EDWARD SHEE EVELYN and SIDNEY CHATTERTON, both of Ellerslie, near the City of Auckland, in the Provincial District of Auckland and Dominion of New Zealand, Manufacturers.

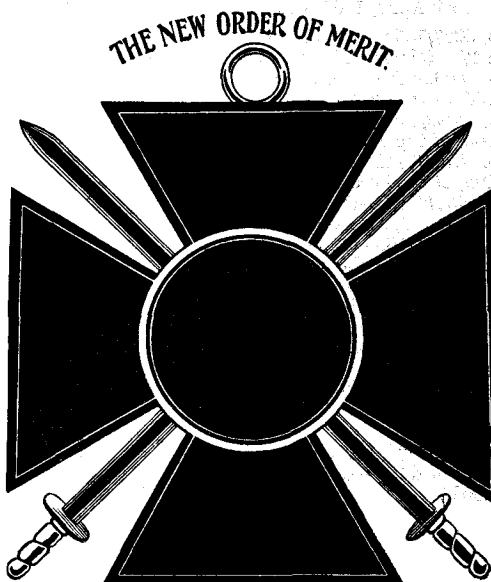
No. of class : 3.

Description of goods : Chemical substances prepared for use in medicine and pharmacy, such as cod-liver oil, medicated articles, patent medicines, plasters, and rhubarb.

No. of application : 7944.

Date : 13th April, 1909.

TRADE MARK.



NAME.

CLARENCE AINSLEY HAMLIN, trading as "C. A. Hamlin and Co.," Importers' and Manufacturers' Agents, Hobson Buildings, Auckland, in the Dominion of New Zealand.

No. of class : 39.

Description of goods : Paper bags.

No. of application : 7945.

Date : 13th April, 1909.

TRADE MARK



PETER UNION

NAME.

MITTELDEUTSCHE GUMMIWAAREN-FABRIK, LOUIS PETER ACTIEN GESELLSCHAFT, at Mainzerlandstrasse 196, Frankfurt-on-the-Main, Germany, also trading as the "Peter Union Tyre Company," at 6 Upper Saint Martin's Lane, London W.C., England, Manufacturers.

No. of class : 40.

Description of goods : Rubber tires.

[ERRATUM.—In *Gazette* No. 7, of the 28th January, 1909, under the heading, "Applications for Registration of Trade Marks," "No. 7789," on page 334, should read "No. 7780."]

J. C. LEWIS,
Registrar.

Application for Trade Mark withdrawn.

THE following application for Trade Mark has been withdrawn:—

No. 7580.—L. Caselberg and Co., Limited. (Advertised in Supplement to *New Zealand Gazette*, No. 100, of the 10th December, 1908.)

Trade Marks registered.

LIST of Trade Marks registered from the 6th to the 19th April, 1909, inclusive:—

- No. 6097/7652.—Commonwealth Oil Corporation, Limited. Class 47. (*Gazette* No. 4, of the 14th January, 1909.)
 No. 6098/7703.—Adams Limited. Class 22. (*Gazette* No. 105, of the 23rd December, 1908.)
 No. 6099/7704.—Adams Limited. Class 13. (*Gazette* No. 105, of the 23rd December, 1908.)
 No. 6100/7742.—Adams Limited. Class 40. (*Gazette* No. 105, of the 23rd December, 1908.)
 No. 6101/7718.—Union Bag and Paper Company. Class 39. (*Gazette* No. 7, of the 28th January, 1909.)
 No. 6102/7719.—Union Bag and Paper Company. Class 39. (*Gazette* No. 7, of the 28th January, 1909.)
 No. 6103/7246.—Bray Bros. Class 42. (*Gazette* No. 31, of the 16th April, 1908.)
 No. 6104/7731.—Wairarapa Farmers' Co-operative Association, Limited. Class 47. (*Gazette* No. 7, of the 28th January, 1909.)
 No. 6105/7732.—Wairarapa Farmers' Co-operative Association, Limited. Class 42. (*Gazette* No. 7, of the 28th January, 1909.)
 No. 6106/7774.—Wairarapa Farmers' Co-operative Association, Limited. Class 42. (*Gazette* No. 7, of the 28th January, 1909.)

- No. 6107/7775.—Wairarapa Farmers' Co-operative Association, Limited. Class 47. (*Gazette* No. 7, of the 28th January, 1909.)
 No. 6108/7778.—Bond and Bell. Class 42. (*Gazette* No. 7, of the 28th January, 1909.)
 No. 6109/7779.—Bond and Bell. Class 42. (*Gazette* No. 7, of the 28th January, 1909.)
 No. 6110/7773.—The Ceylon Tea Company. Class 42. (*Gazette* No. 7, of the 28th January, 1909.)
 No. 6111/7381.—E. L. Yancken and Co. Proprietary, Limited. Class 1. (*Gazette* No. 53, of the 23rd July, 1908.)
 No. 6112/7255.—Hancock and Co. (N.Z.), Limited. Class 15. (*Gazette* No. 31, of the 16th April, 1908.)
 No. 6113/7256.—Hancock and Co. (N.Z.), Limited. Class 16. (*Gazette* No. 31, of the 16th April, 1908.)
 No. 6114/7258.—Hancock and Co. (N.Z.), Limited. Class 43. (*Gazette* No. 31, of the 16th April, 1908.)
 No. 6115/7435.—Tootal Broadhurst Lee Company, Limited. Class 24. (*Gazette* No. 61, of the 6th August, 1908.)
 No. 6116/7439.—Tootal Broadhurst Lee Company, Limited. Class 24. (*Gazette* No. 61, of the 6th August, 1908.)
 No. 6117/7555.—Lse. Pommery Fils & Cie. Class 43. (*Gazette* No. 85, of the 29th October, 1908.)
 No. 6118/7556.—Lse. Pommery Fils & Cie. Class 43. (*Gazette* No. 75, of the 1st October, 1908.)
 No. 6119/7557.—Lse. Pommery Fils & Cie. Class 43. (*Gazette* No. 85, of the 29th October, 1908.)
 No. 6120/7621.—J. Simon & Cie. Class 48. (*Gazette* No. 85, of the 29th October, 1908.)
 No. 6121/7622.—J. Simon & Cie. Class 48. (*Gazette* No. 85, of the 29th October, 1908.)
 No. 6122/7623.—J. Simon & Cie. Class 48. (*Gazette* No. 85, of the 29th October, 1908.)
 No. 6123/7629.—Balsa Hermanos. Class 45. (*Gazette* No. 94, of the 26th November, 1908.)
 No. 6124/7683.—British-American Tobacco Company, Limited. Class 45. (*Gazette* No. 94, of the 26th November, 1908.)
 No. 6125/7684.—Hargreaves Bros. and Co., Limited. Class 50. (*Gazette* No. 94, of the 26th November, 1908.)
 No. 6126/7270.—C. J. Wattson. Class 39. (*Gazette* No. 31, of the 16th April, 1908.)
 No. 6127/7327.—Dainties Limited. Class 42. (*Gazette* No. 94, of the 26th November, 1908.)
 No. 6128/7634.—Dainties Limited. Class 42. (*Gazette* No. 91, of the 12th November, 1908.)
 No. 6129/7809.—F. G. Swift. Class 2. (*Gazette* No. 12, of the 11th February, 1908.)
 No. 6130/7810.—F. G. Swift. Class 47. (*Gazette* No. 12, of the 11th February, 1908.)
 No. 6131/7787.—G. A. Findlay and Co. No. 38. (*Gazette* No. 12, of the 11th February, 1908.)

Subsequent Proprietors of Trade Marks registered.

[NOTE.—The name of the former proprietor is given in brackets; the date is that of registration.]

NO. 855/727 and 1047/789.—I. and R. Morley, of 18 Wood Street, London, England, Warehousemen. (M. G. Francoz, Widow Poulat.) 8th April, 1909.

Trade Marks removed from the Register.

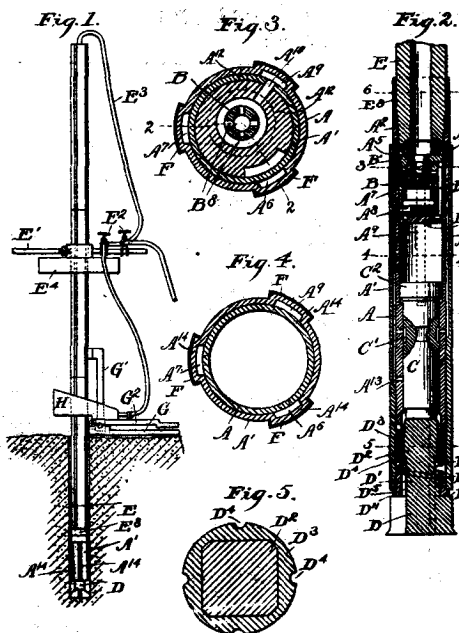
TRADE Marks removed from the Register owing to the non-payment of the renewal fee, from the 6th to the 19th April, 1909, inclusive:—

- No. 1354/1054.—16th January, 1895. T. Rainforth, Enfield, N.Z. Class 42.
 Nos. 1355/1237, 1356/1238.—18th January, 1895. W. Rainbow, Christchurch, N.Z. Classes 42 and 43.
 No. 1358/1060.—18th January, 1895. Inde, Coope, and Co., Limited, Romford, England. Class 43.
 No. 1359/1061.—18th January, 1895. Chas. E. Hires Company, Philadelphia, U.S.A. Class 42.
 No. 1362/1062.—19th January, 1895. G. E. Warburton, Timaru, N.Z. Class 3.

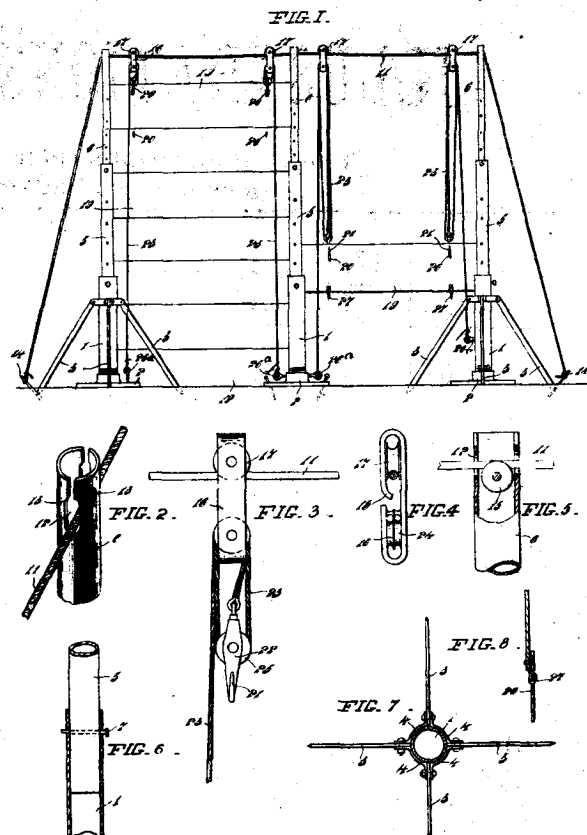
Amendment of Trade Mark Application.

NO. 7258.—Hancock and Co., New Zealand, Limited. (Advertised in Supplement to *New Zealand Gazette*, No. 31, of the 16th April, 1908.)

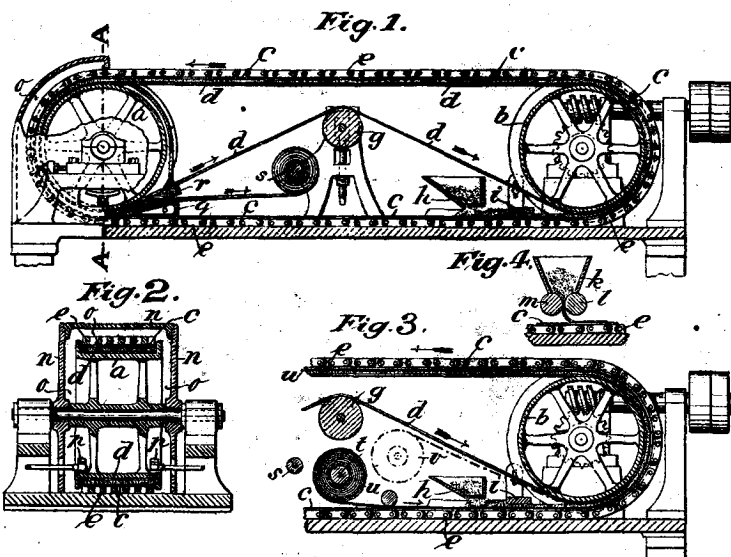
The statement of goods in this case has been amended by striking out the word "whisky," and inserting the words "but not including whisky."



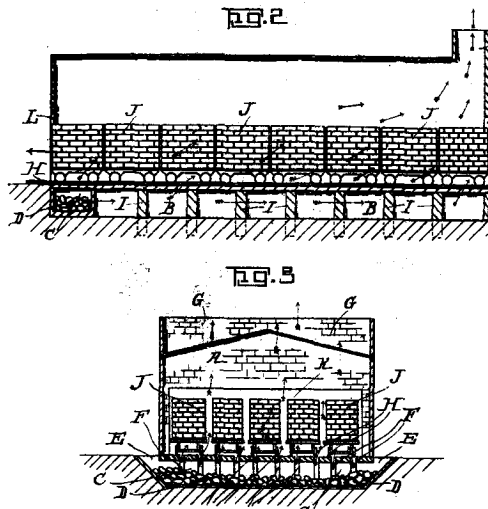
25759
Hastings. Rock-drill.



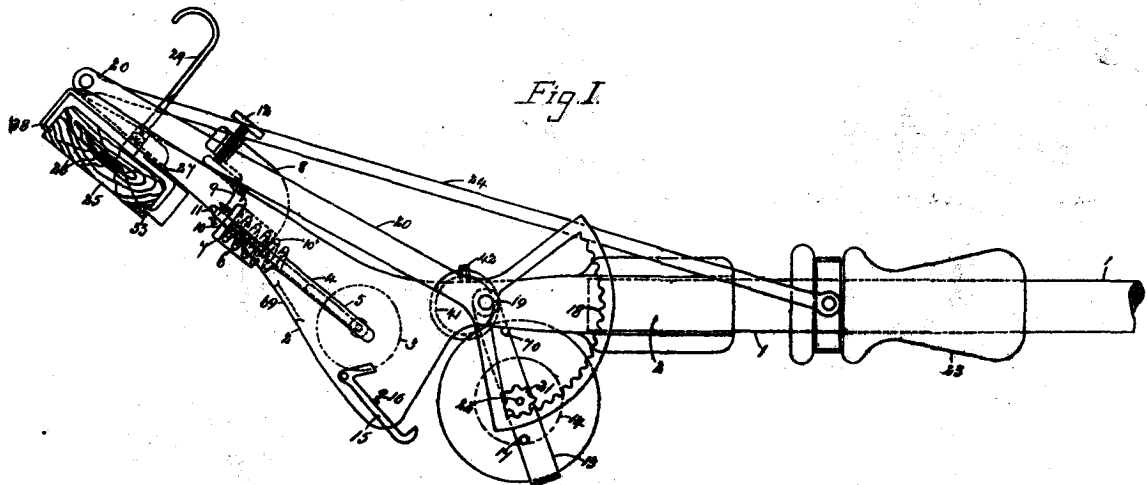
25746
Ranginui. Fire-preventive.



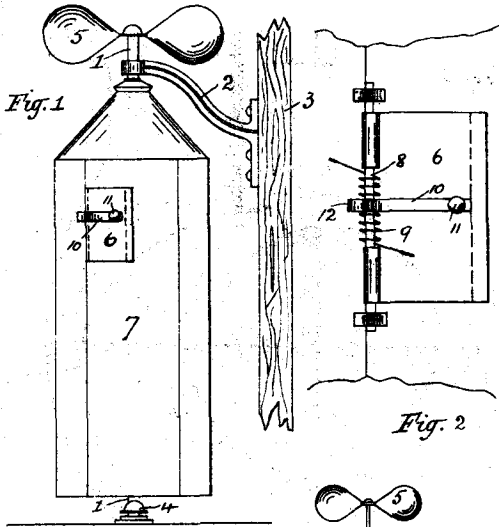
25729
Gare. Sheet India-rubber.



25725
Wallace. Drying bricks

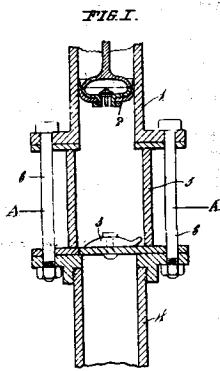


25732
Gee and Gee. Floor-scrubber.



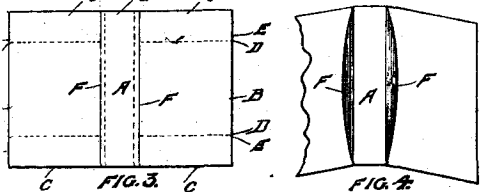
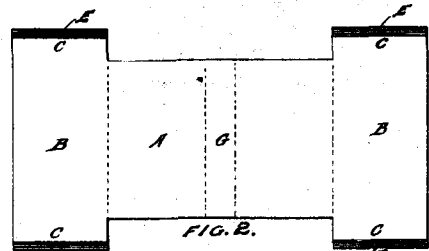
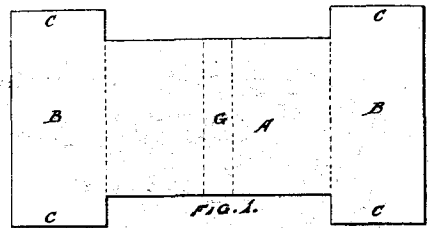
25610

Kennedy. Advertisement-displayer.



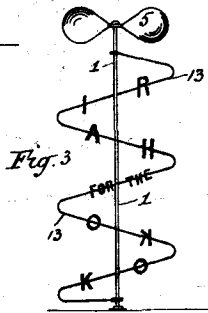
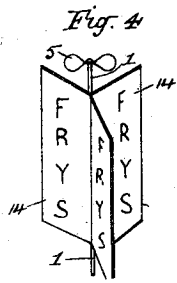
25763

James. Pump.

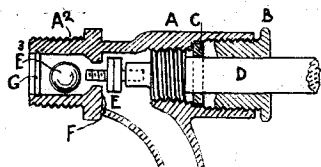
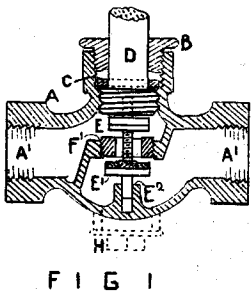


25669

Sinclair. Book-cover.

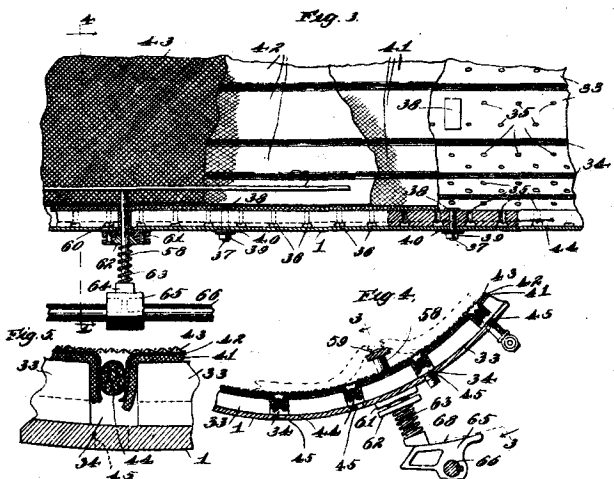


Walker, Walker, and Brown. Tap.



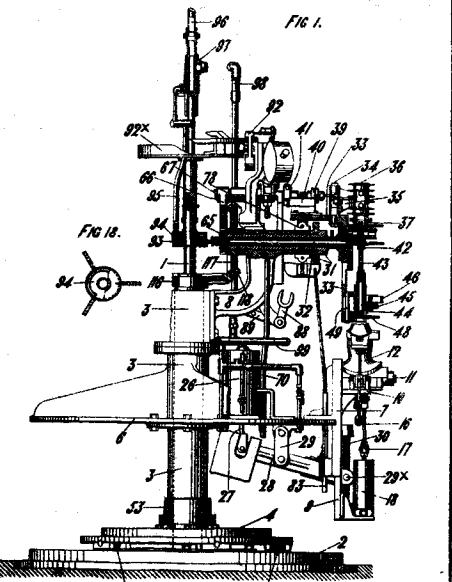
25692

Walker, Walker, and Brown. Tap.



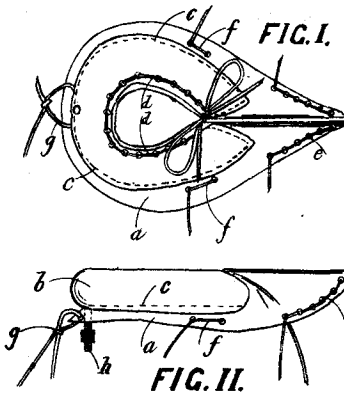
25721

Burt. Filter.



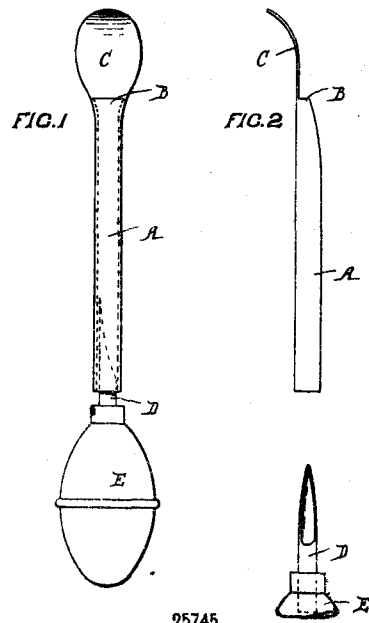
25748

Simpson. Bottle-manufacture.



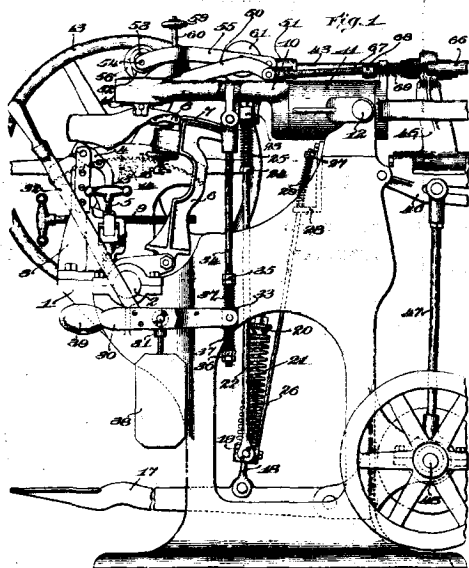
25257

Daily. Saddle-cover.

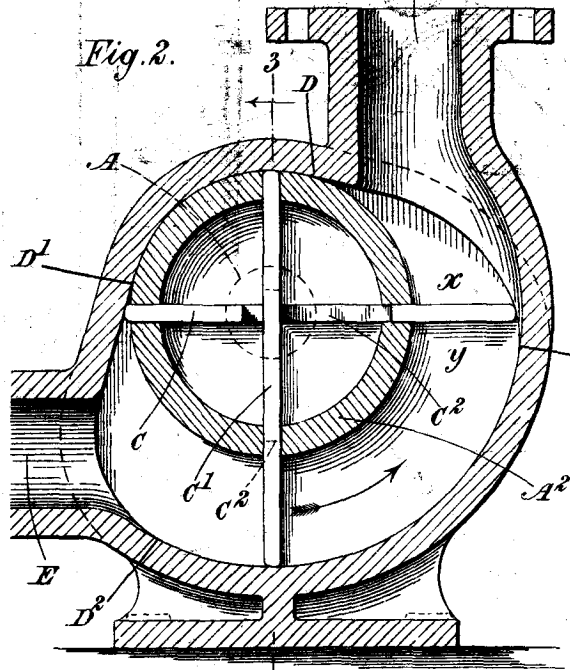


25745

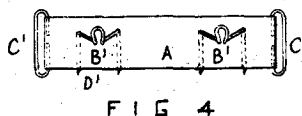
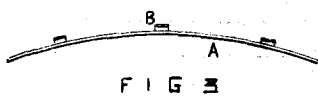
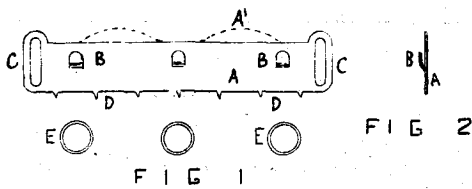
Newth. Throat-sprayer.



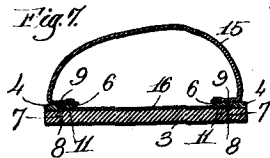
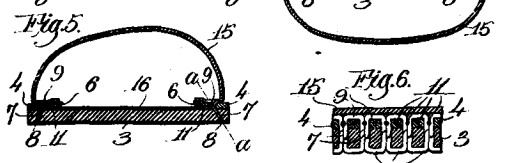
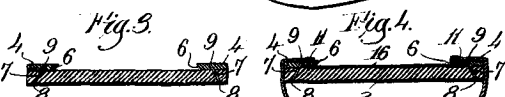
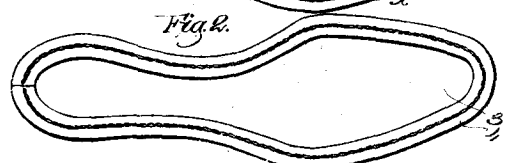
25202
United Shoe Machinery Co. Sole-leveller. (Winkley.)



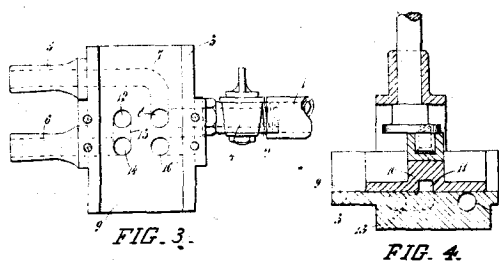
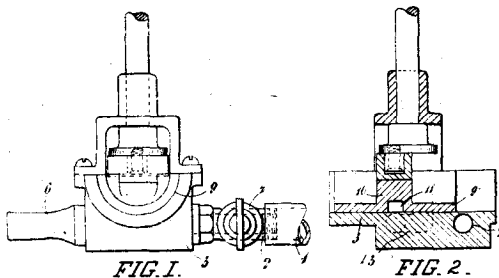
25677
Martin. Pump.



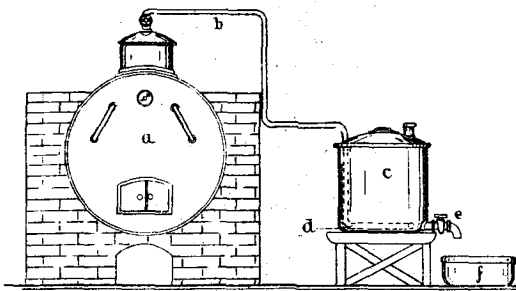
25741
Bennet. Skirt-holder.



25697
Beal. Shoe.



24488
Blake. Milking-machine.



24902
Trotman. Fertiliser.